

**SONY**

**TRINITRON® COLOR TV** **BASIC SCHEMATIC DIAGRAM**

**KV-2165MTJ/RM-827S**

Chassis No. SCC-F21J

**NOTE**

THIS SCHEMATIC DIAGRAM IS FOR USE BY YOUR SERVICE  
TECHNICIAN.  
KEEP THIS DIAGRAM HANDY FOR FUTURE REFERENCE.

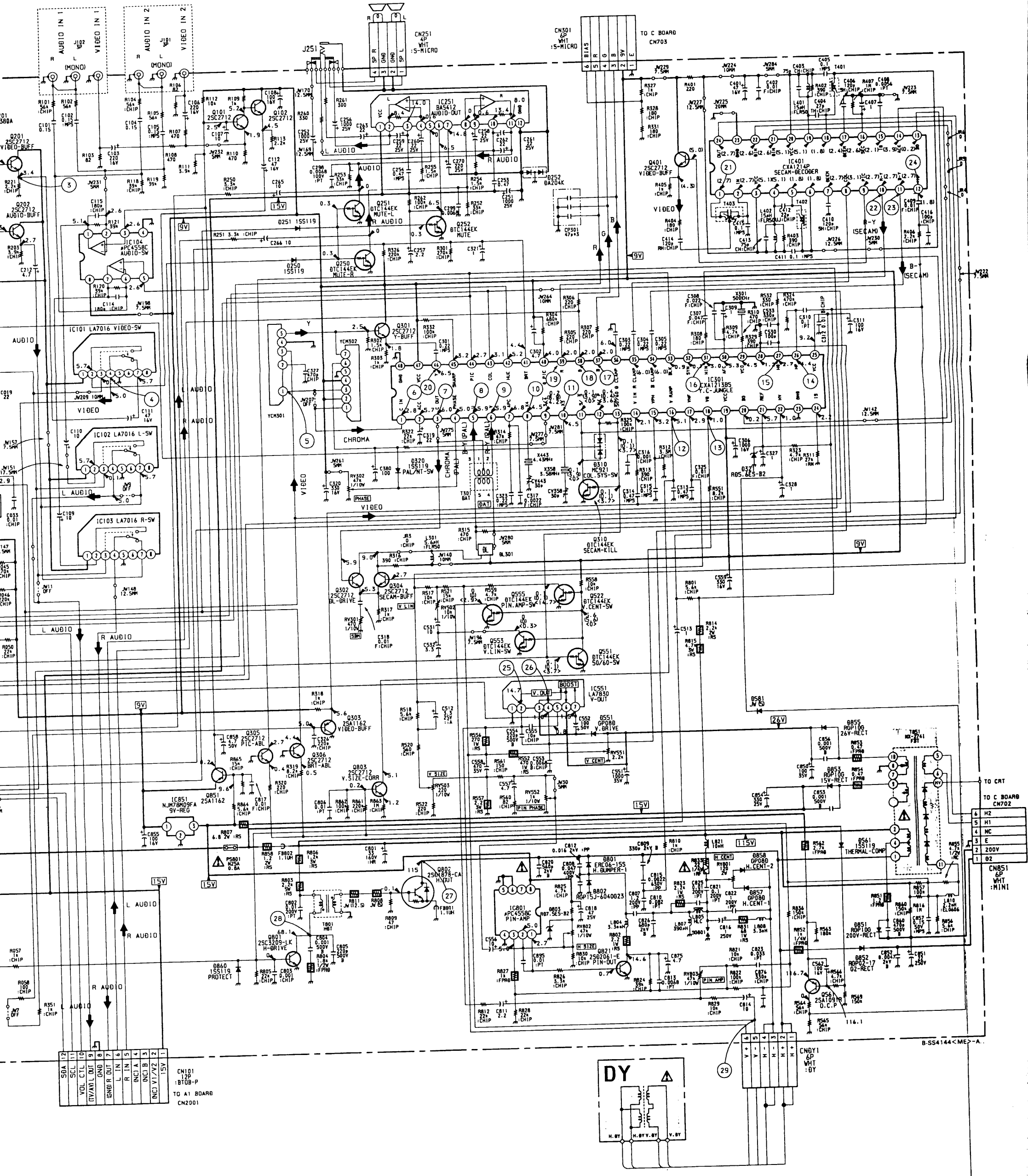
**Sony Corporation**

© 1992

Printed in Japan

4-037-875-01





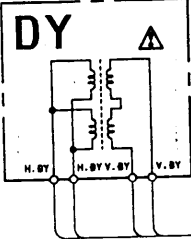
|             |    |
|-------------|----|
| SBA         | 12 |
| SCL         | 11 |
| VOL CTL     | 10 |
| TV/AV L OUT | 9  |
| GND         | 8  |
| GND R OUT   | 7  |
| L IN        | 6  |
| R IN        | 5  |
| INC A       | 4  |
| INC B       | 3  |
| INC V1/V2   | 2  |
| 15V         | 1  |

CN101  
 12P  
 B10B-P  
 TO A1 BOARD  
 CN2001

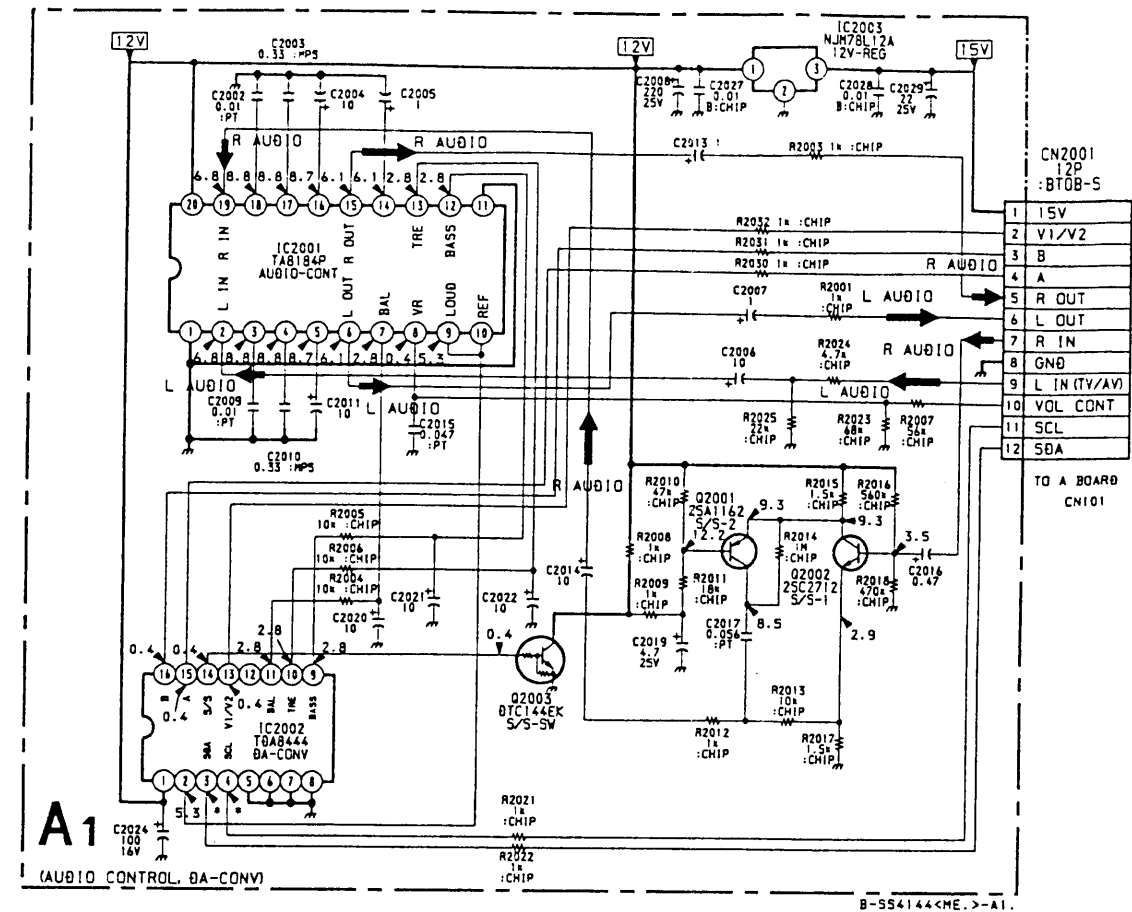
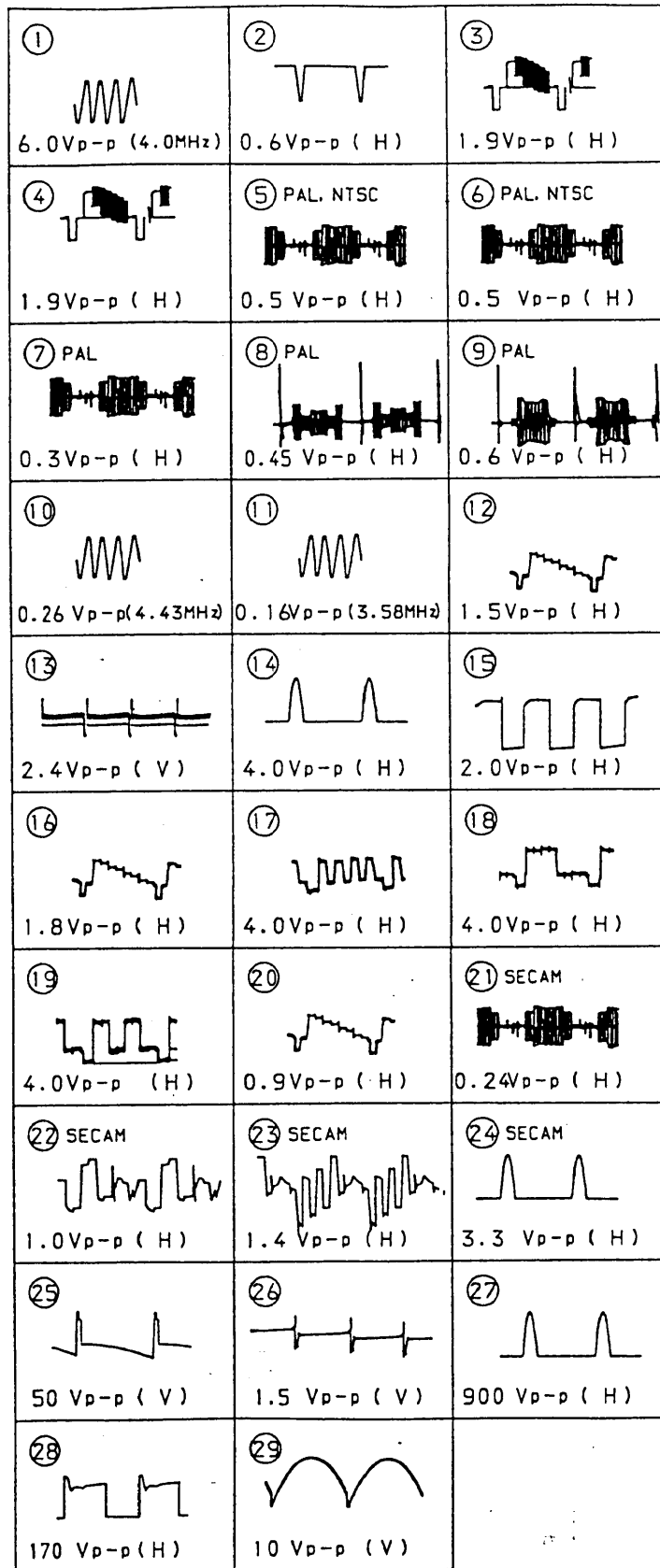
|   |      |
|---|------|
| 6 | HZ   |
| 5 | M1   |
| 4 | MC   |
| 3 | E    |
| 2 | 200V |
| 1 | B2   |

TO CRT  
 TO C BOARD  
 CN702

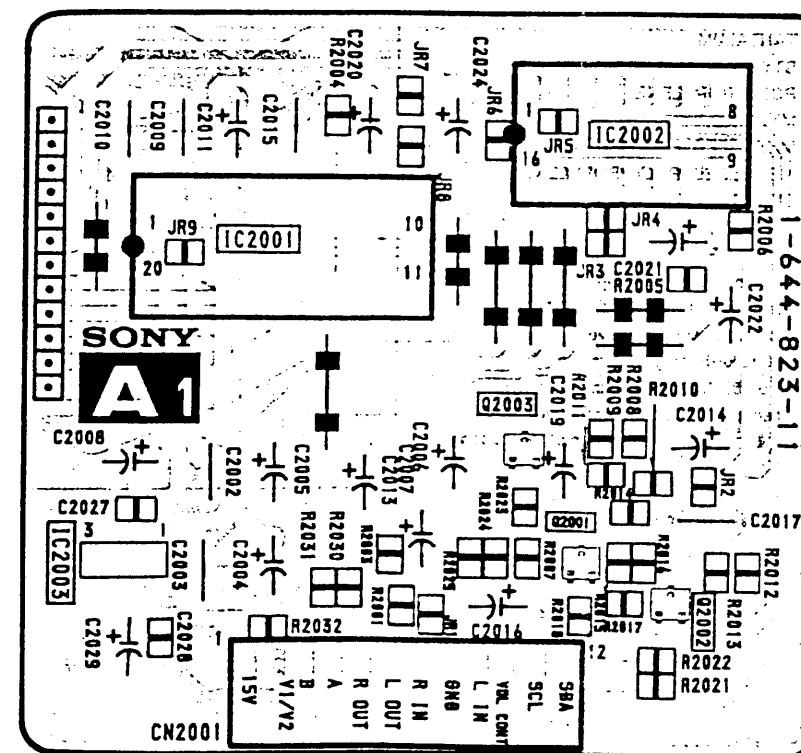
CN851  
 6P  
 WHT  
 MINI



• A BOARD WAVEFORMS



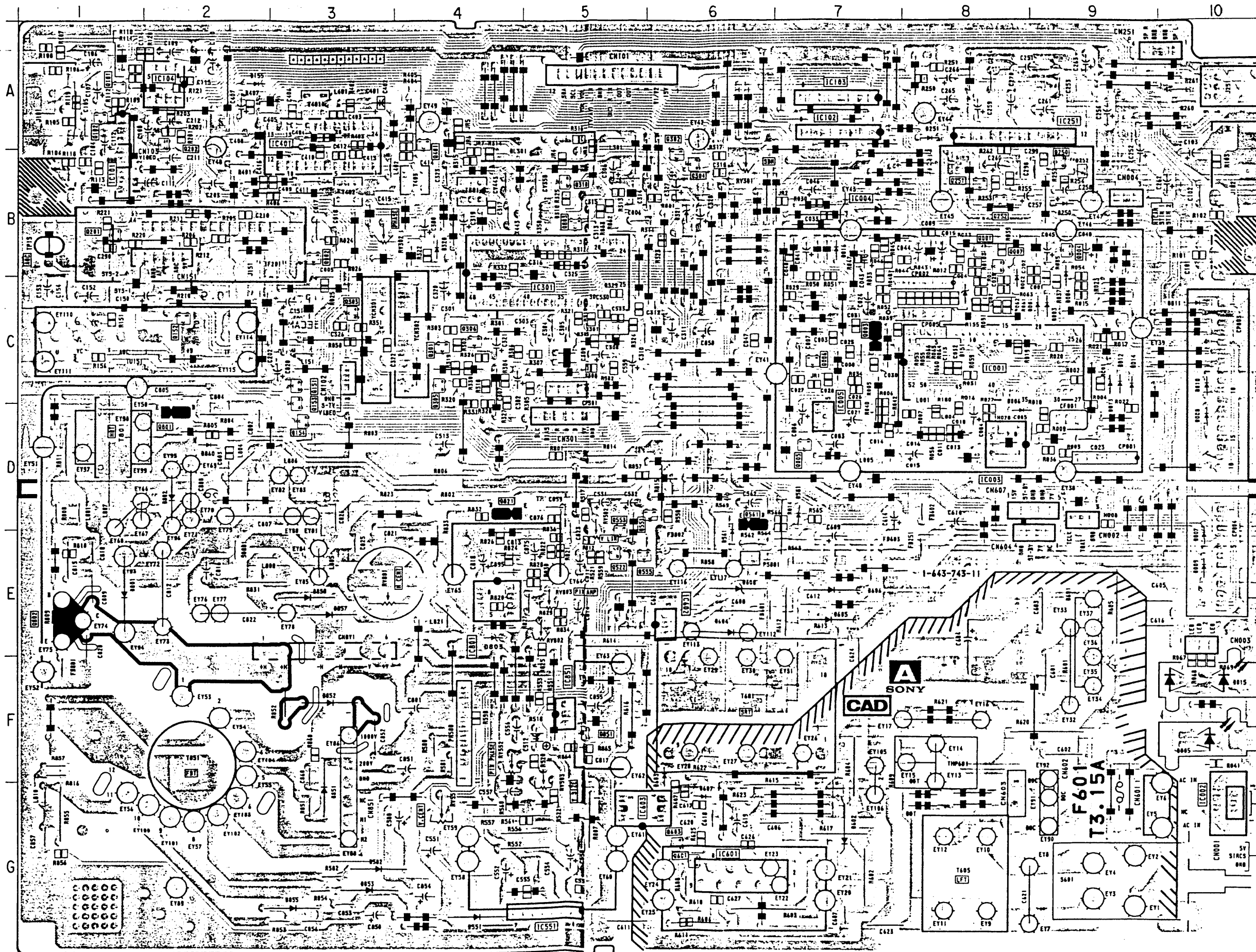
**A1** [AUDIO CONTROL, DA-CONV]



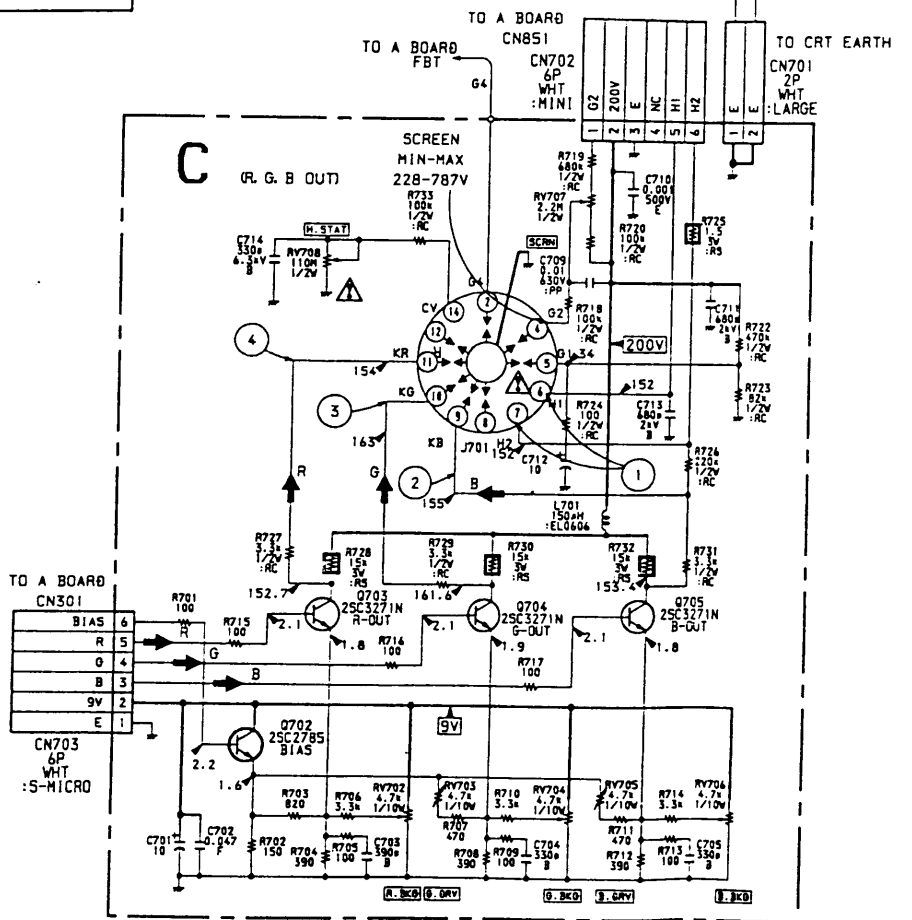
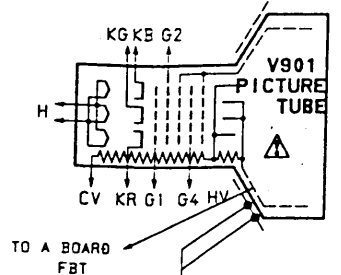
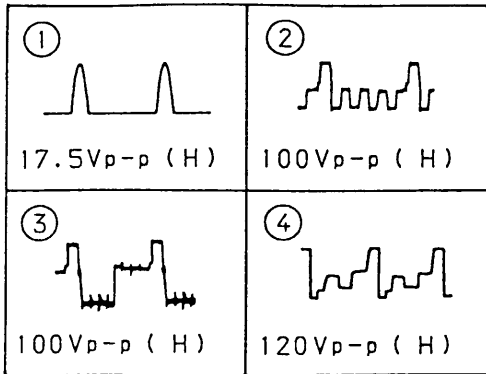
# PRINTED WIRING BOARDS

Note: All mounting diagrams are viewed from conductor side.

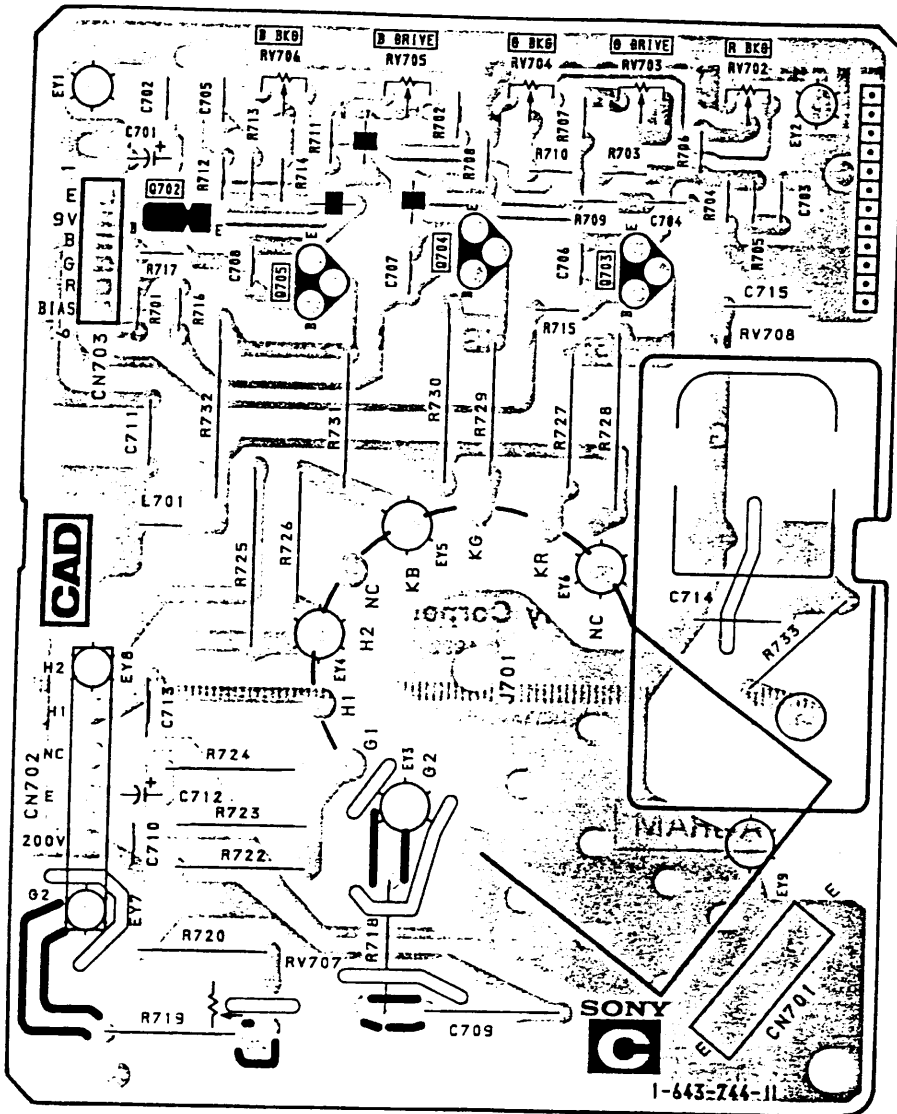
**A** SYS CONTROLLER, TU, MEMORY, IF, Y/C, JUNGLE, H/V OUT, POWER SUPPLY, SECAM DECODER, AUDIO/VIDEO INPUT



• C BOARD WAVEFORMS



**C** [R, G, B OUT]



| IC         |      | DIODE |      | VARIABLE RESISTOR |     |
|------------|------|-------|------|-------------------|-----|
| IC001      | C-8  | D001  | C-9  | RV301             | B-6 |
| IC002      | G-10 | D002  | C-8  | RV302             | B-3 |
| IC003      | D-8  | D003  | C-9  | RV502             | E-5 |
| IC004      | B-7  | D004  | C-9  | RV503             | G-5 |
| IC005      | D-7  | D005  | F-10 | RV551             | G-4 |
| IC101      | B-1  | D006  | D-8  | RV552             | F-4 |
| IC102      | A-7  | D007  | E-10 | RV801             | E-3 |
| IC103      | A-7  | D008  | D-10 | RV802             | E-5 |
| IC104      | A-2  | D009  | E-10 | RV803             | E-5 |
| IC251      | A-9  | D010  | C-10 |                   |     |
| IC301      | C-5  | D011  | C-10 |                   |     |
| IC401      | A-3  | D012  | C-9  |                   |     |
| IC551      | G-5  | D014  | C-9  |                   |     |
| IC601      | G-6  | D016  | C-7  |                   |     |
| IC602      | E-6  | D151  | C-8  | DELAY LINE        |     |
| IC603      | G-5  | D155  | A-2  | DL301 B-4         |     |
| IC801      | E-4  | D250  | B-9  |                   |     |
|            |      | D251  | A-8  |                   |     |
|            |      | D252  | B-9  |                   |     |
| TRANSISTOR |      | D310  | B-5  | IF BLOCK          |     |
| Q001       | B-8  | D320  | B-4  | IF201 B-2         |     |
| Q002       | B-3  | D321  | B-6  |                   |     |
| Q003       | C-7  | D551  | G-4  |                   |     |
| Q004       | B-9  | D561  | E-6  | TUNER             |     |
| Q005       | D-7  | D601  | C-9  | TU151 C-1         |     |
| Q006       | C-7  | D602  | G-7  |                   |     |
| Q007       | B-8  | D603  | F-6  |                   |     |
| Q101       | A-1  | D604  | E-6  |                   |     |
| Q102       | A-1  | D605  | E-7  | CRYSTAL           |     |
| Q151       | C-3  | D607  | G-6  | X301 C-5          |     |
| Q152       | C-2  | D608  | E-6  | X358 B-5          |     |
| Q153       | D-3  | D801  | E-1  | X443 B-4          |     |
| Q154       | D-3  | D802  | D-6  |                   |     |
| Q201       | B-1  | D803  | E-4  |                   |     |
| Q202       | A-2  | D851  | G-3  |                   |     |
| Q250       | B-9  | D852  | F-3  |                   |     |
| Q251       | B-8  | D853  | G-3  |                   |     |
| Q252       | B-8  | D855  | G-3  |                   |     |
| Q301       | C-4  | D857  | E-3  |                   |     |
| Q302       | B-6  | D858  | E-3  |                   |     |
| Q303       | C-3  | D860  | D-2  |                   |     |
| Q304       | B-6  |       |      |                   |     |
| Q305       | C-4  |       |      |                   |     |
| Q306       | C-4  |       |      |                   |     |
| Q310       | B-5  |       |      |                   |     |
| Q401       | A-4  |       |      |                   |     |
| Q522       | E-5  |       |      |                   |     |
| Q551       | D-6  |       |      |                   |     |
| Q553       | E-5  |       |      |                   |     |
| Q555       | E-5  |       |      |                   |     |
| Q561       | D-6  |       |      |                   |     |
| Q601       | G-6  |       |      |                   |     |
| Q603       | G-6  |       |      |                   |     |
| Q801       | D-2  |       |      |                   |     |
| Q802       | E-1  |       |      |                   |     |
| Q803       | B-5  |       |      |                   |     |
| Q821       | D-4  |       |      |                   |     |
| Q851       | F-5  |       |      |                   |     |



